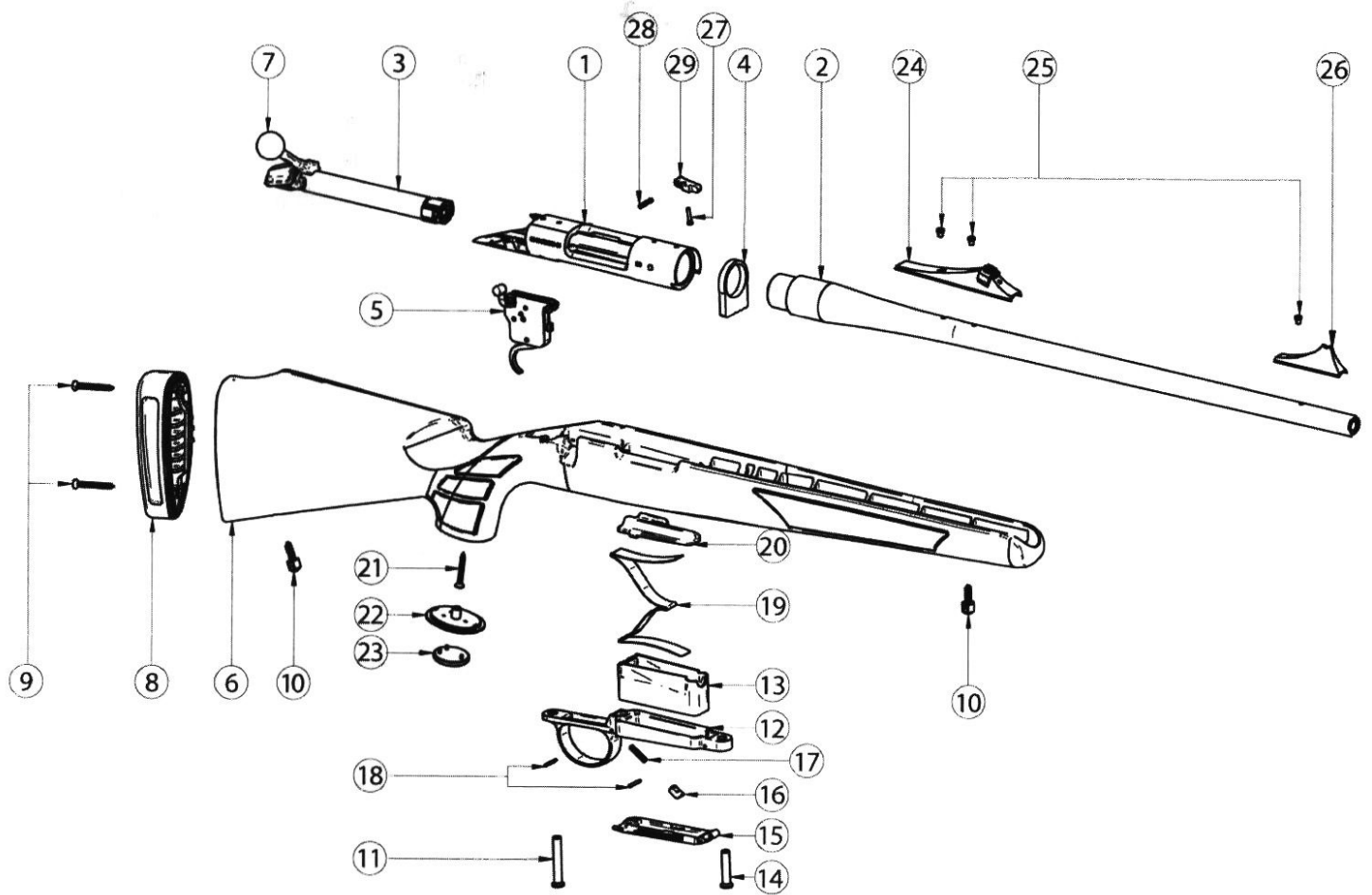


# GENERAL DESCRIPTION

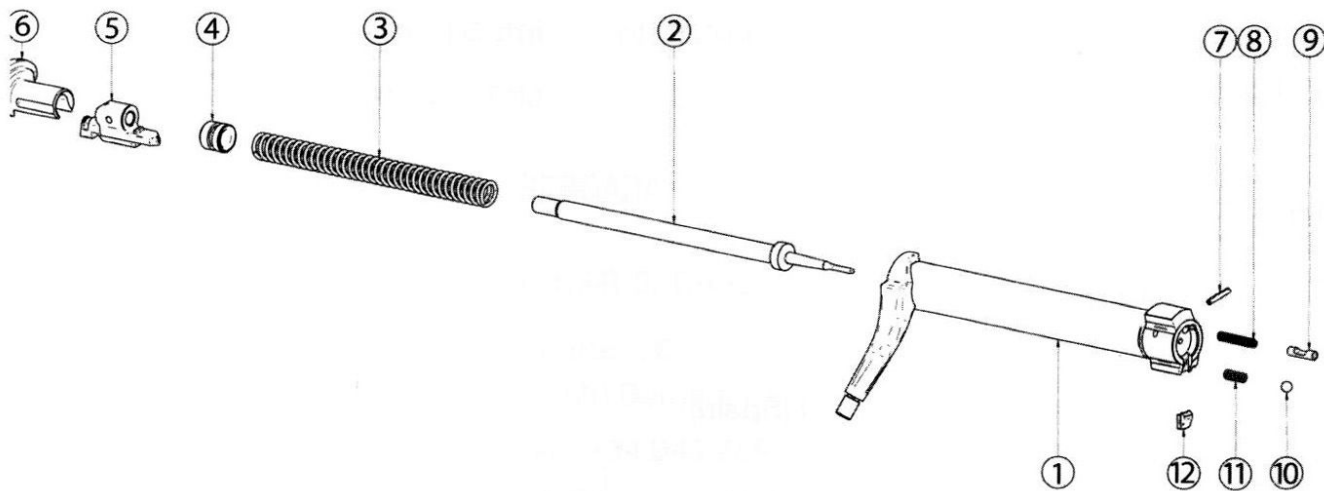


ITEM N. DESCRIPTION

ITEM N. DESCRIPTION

1	Receiver	16	Magazine opening button
2	Barrel	17	Opening button spring
3	Bolt body assembly	18	Trigger guard lock pins
4	Recoil lug	19	Magazine spring
5	Trigger mechanism	20	Follower
6	Stock	21	Shield fixing screw
7	Bolt knob	22	Shield
8	Recoil pad	23	Shield cover
9	Recoil pad screws	24*	Rear sight
10	Sling swivel	25*	Sight screws
11	Stock rear screw	26*	Front sight
12	Trigger guard	27	Bolt catch screw
13	Magazine	28	Bolt catch spring
14	Stock front screw	29	Bolt catch lever
15	Magazine tray		

# GENERAL DESCRIPTION



ITEM N.	DESCRIPTION
---------	-------------

- |   |                    |
|---|--------------------|
| 1 | Bolt body          |
| 2 | Firing pin         |
| 3 | Firing pin spring  |
| 4 | Firing pin bushing |
| 5 | Firing pin lock    |
| 6 | Firing pin shroud  |

ITEM N.	DESCRIPTION
---------	-------------

- |    |                        |
|----|------------------------|
| 7  | Ejector pin            |
| 8  | Ejector plunger spring |
| 9  | Ejector                |
| 10 | Extractor ball         |
| 11 | Extractor spring       |
| 12 | Extractor              |

ITEM N.	DESCRIPTION
---------	-------------

- |    |                         |
|----|-------------------------|
| 1  | Trigger guard lock pins |
| 2  | Lever spring            |
| 3  | Magazine clamping lever |
| 4  | Magazine trigger guard  |
| 5  | Magazine pushing plate  |
| 6  | Regulation screw        |
| 7  | Pushing pin             |
| 8  | Pushing spring          |
| 9  | Stock front screw       |
| 10 | Stock rear screw        |
| 11 | Magazine body           |
| 12 | Follower                |
| 13 | Magazine sheet of metal |
| 14 | Magazine spring         |
| 15 | Magazine plate          |

